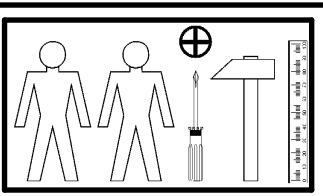
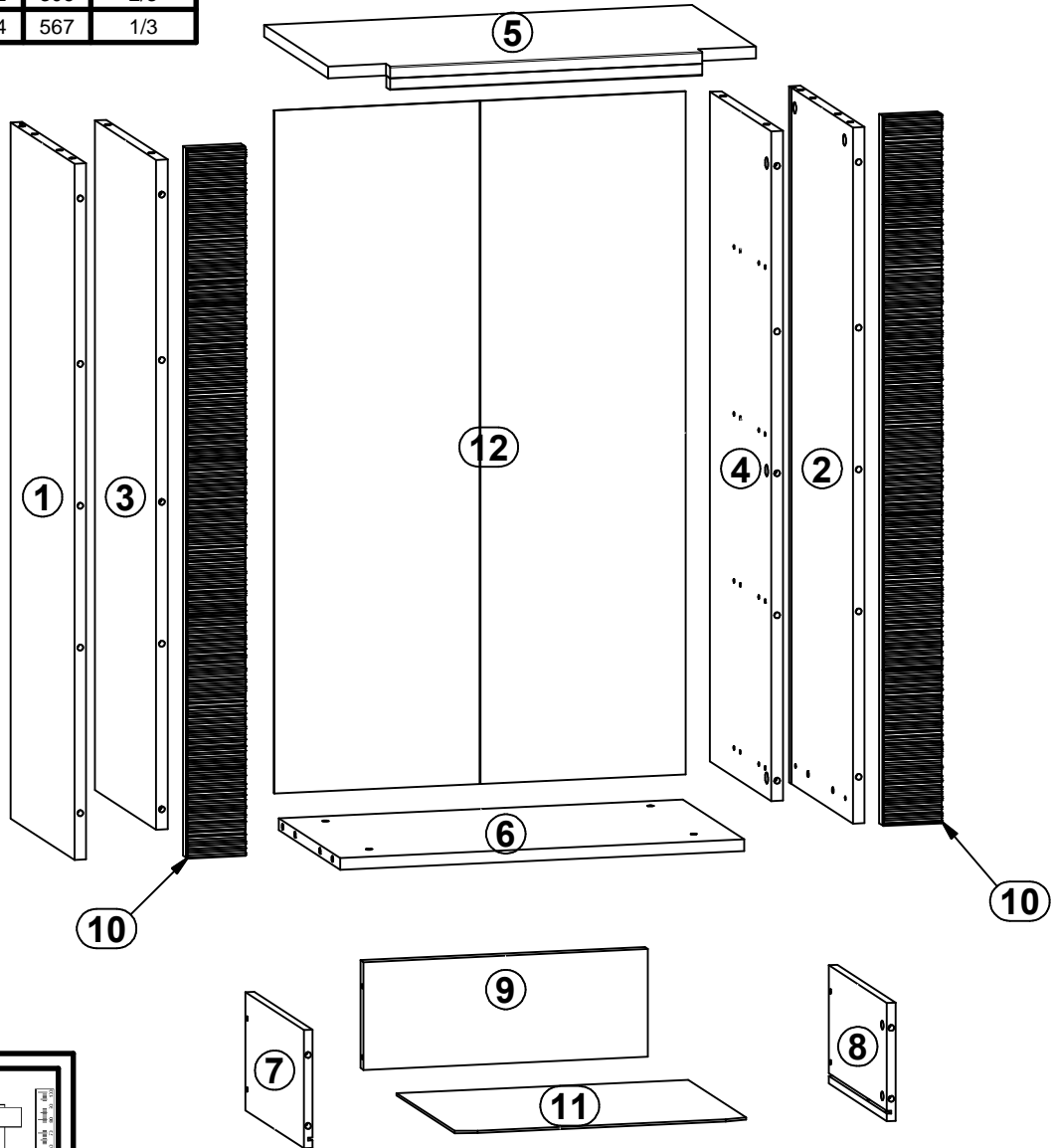
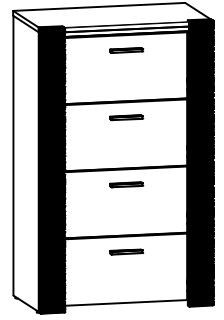
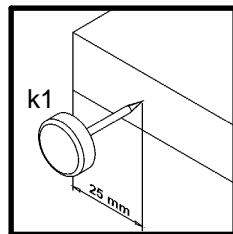
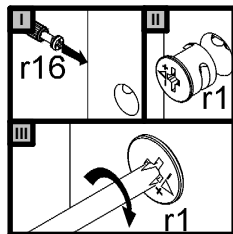
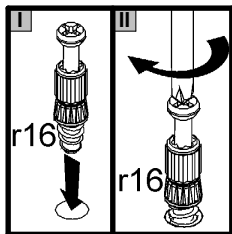
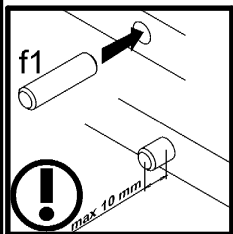
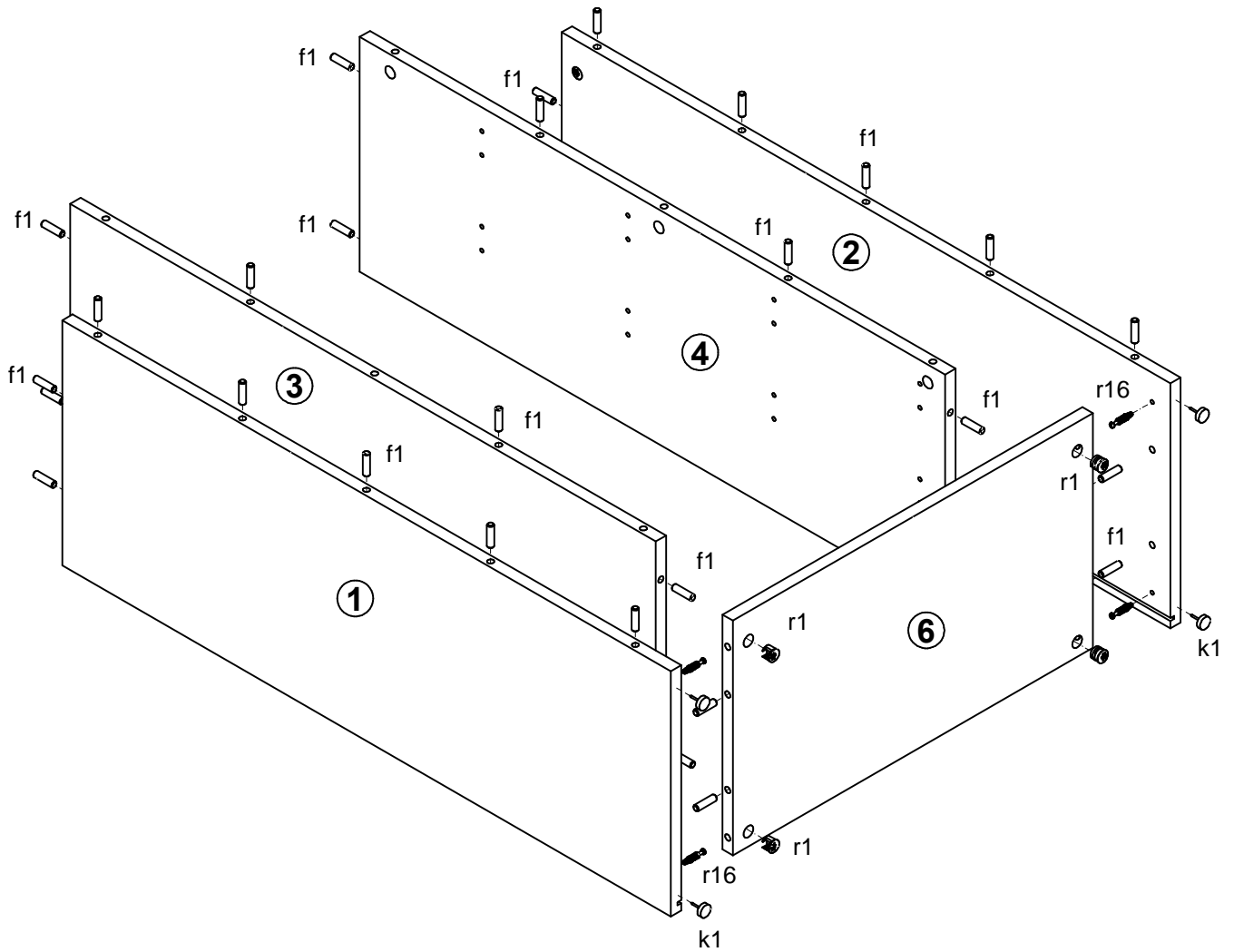


A	B	C	D	
1	S126-107	942	329	1/3
2	S126-108	942	329	1/3
3	S126-109	906	315	1/3
4	S126-110	906	315	1/3
5	S126-203	590	351	2/3
6	S126-301	557	315	2/3
7	S126-501	300	160	2/3
8	S126-502	300	160	2/3
9	S126-503	392	146	2/3
10	S126-575	960	80	1/3
11	S126-902	402	306	2/3
12	S126-9903	924	567	1/3

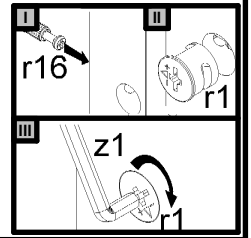
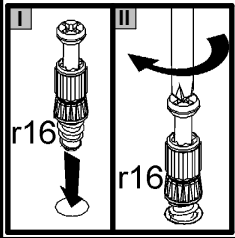
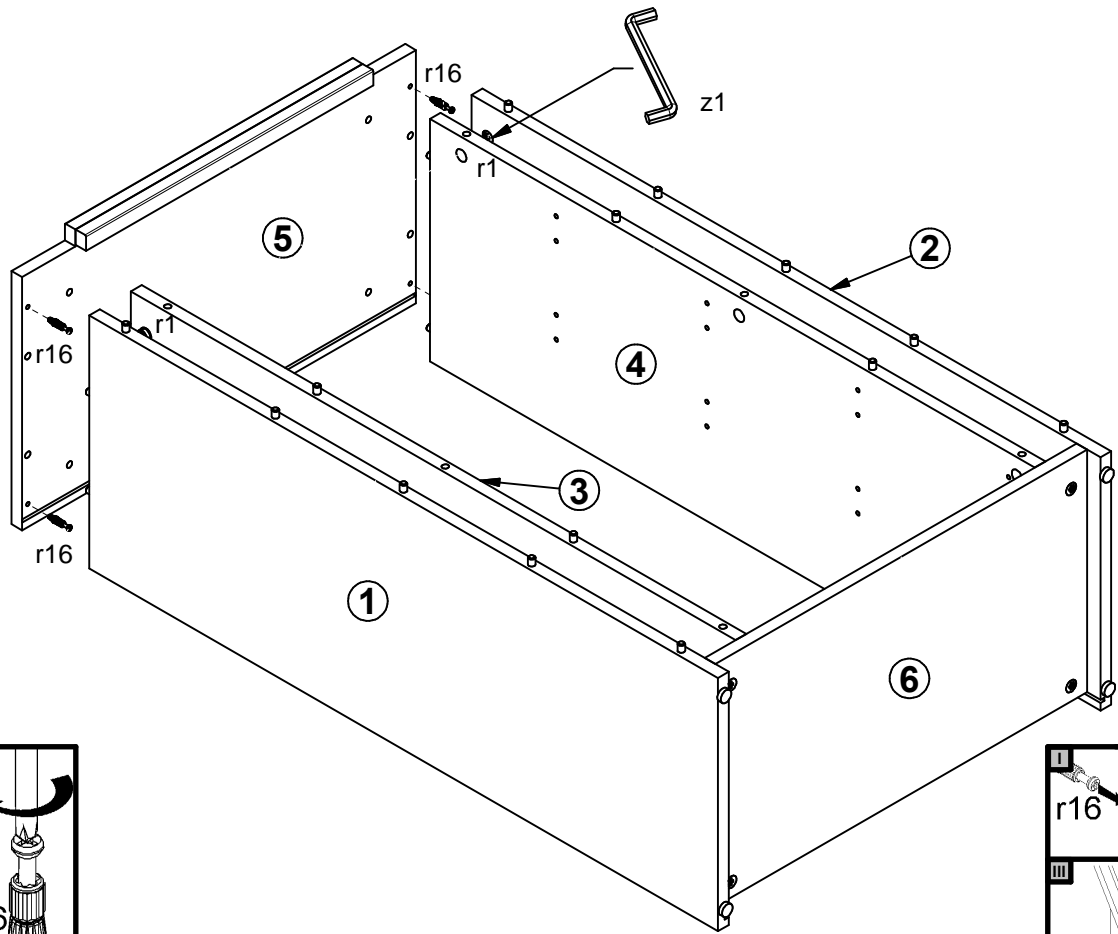


32x  φ6x13 mm <b>e3</b>	30x  φ8x30 mm <b>f1</b>	16x  φ6.5x40 mm <b>f25</b>	4x  <b>k1</b>	25x  <b>l1</b>	12x  φ3.5x16 mm <b>p38</b>	14x  φ1.5x12mm #16 <b>r1</b>	16x  φ12x10.5mm #12 <b>r15</b>	30x  <b>r16</b>
4x  300 mm <b>w79\L</b>	1x  <b>z1</b>	4x  300 mm <b>w79\P</b>	1x  φ3.5x16 mm <b>p38</b>	1x  <b>n26\1</b>	8x  <b>l2</b>			

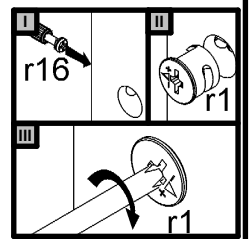
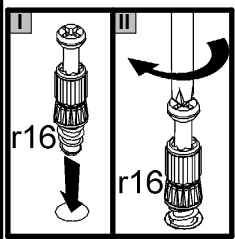
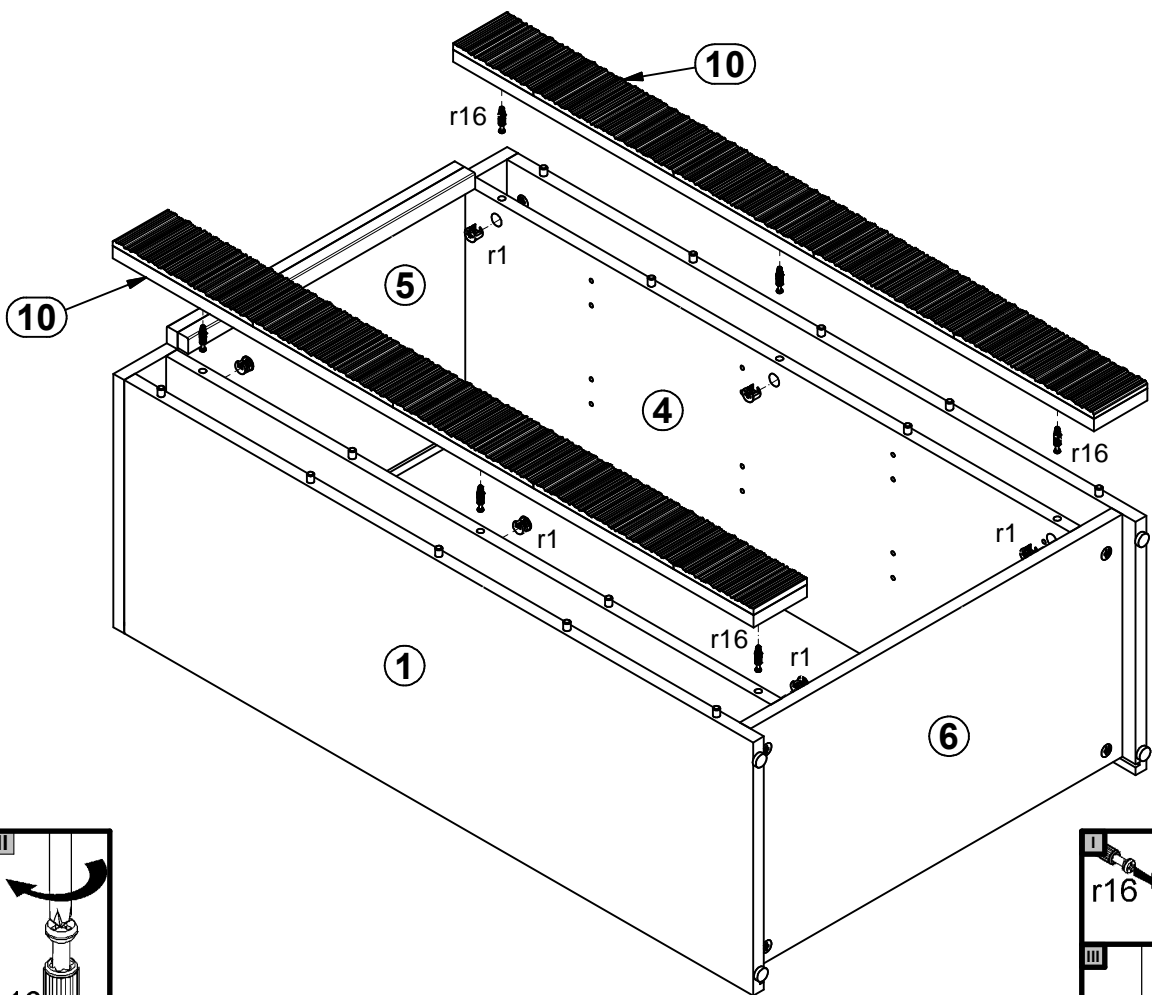
# 1

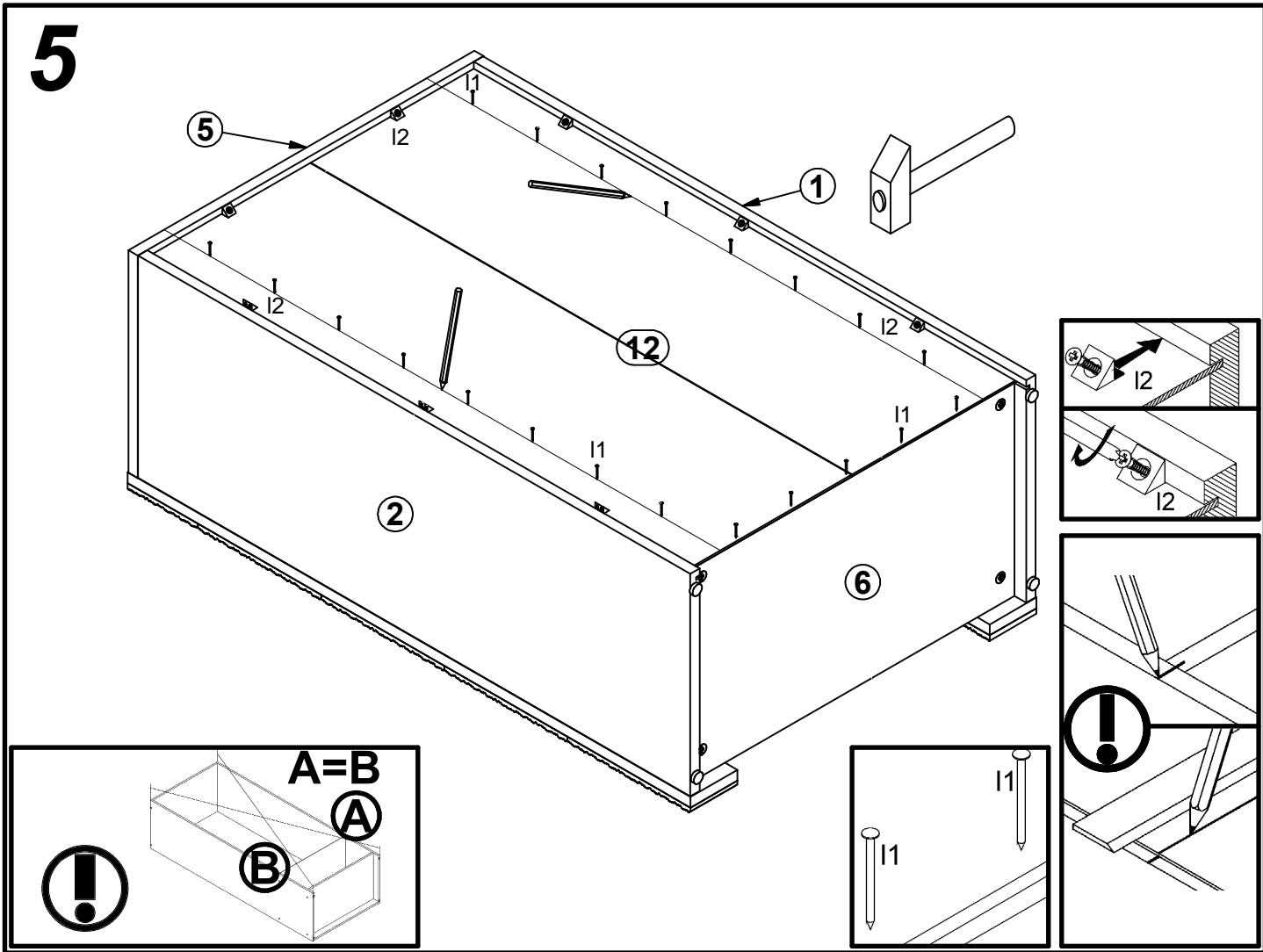
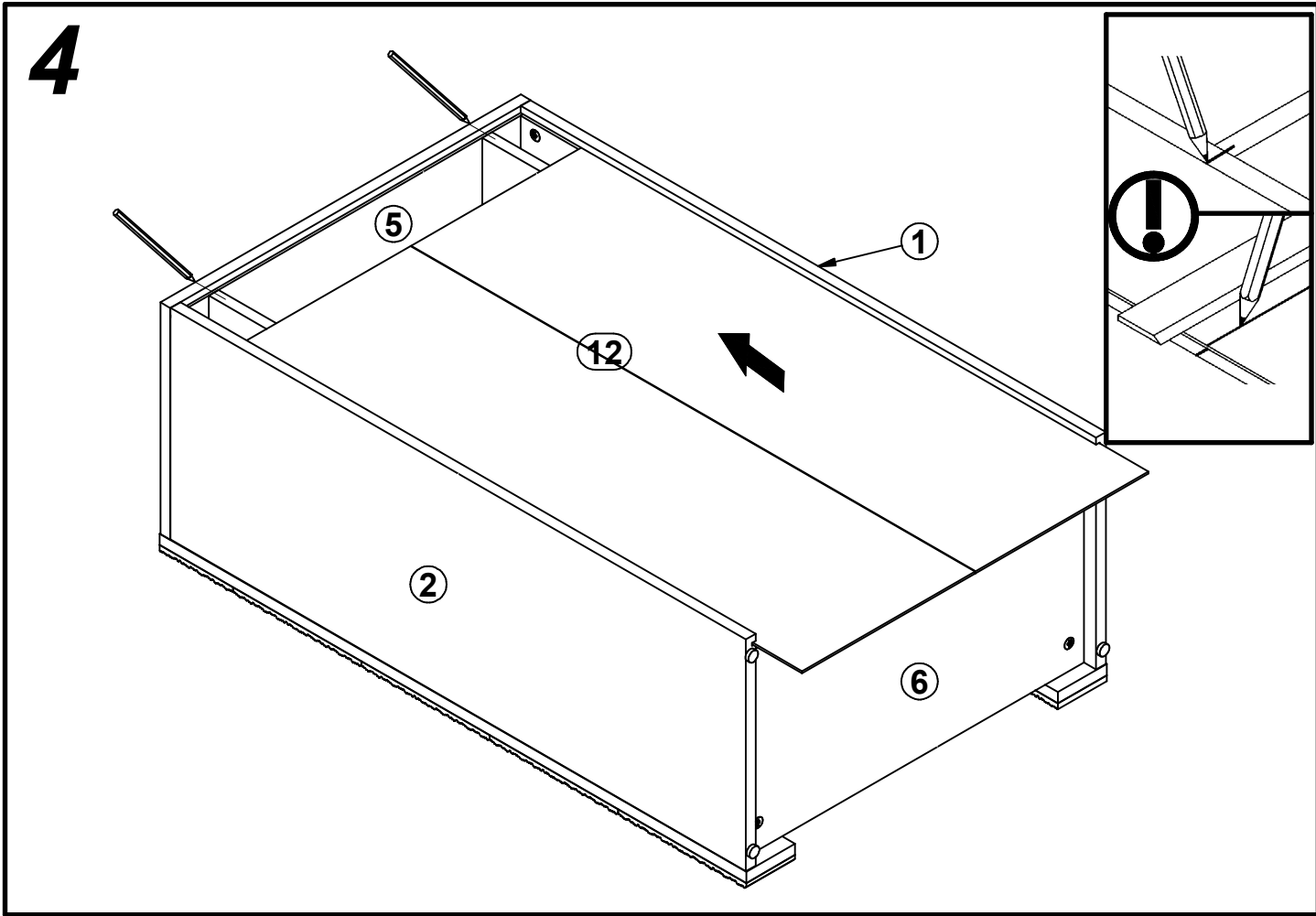


# 2

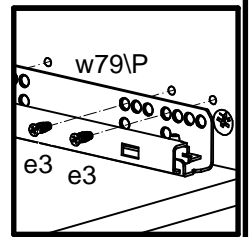
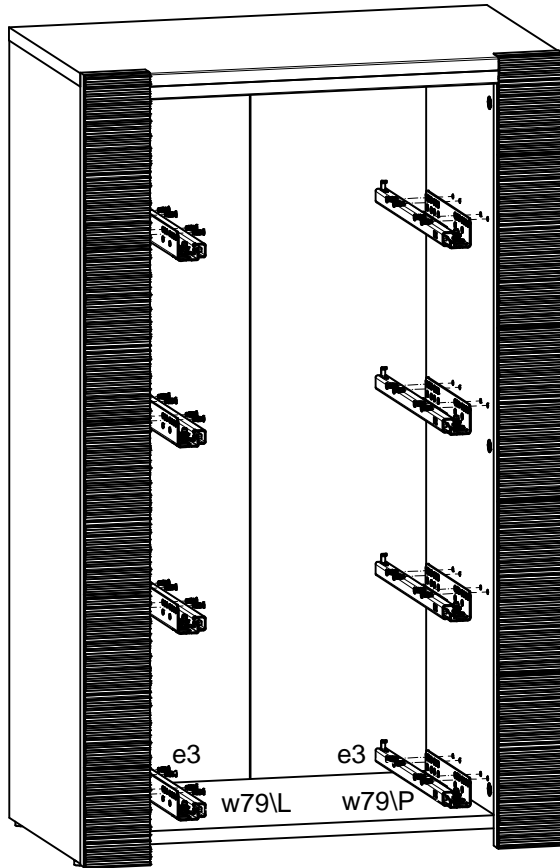


# 3





6 



7

